



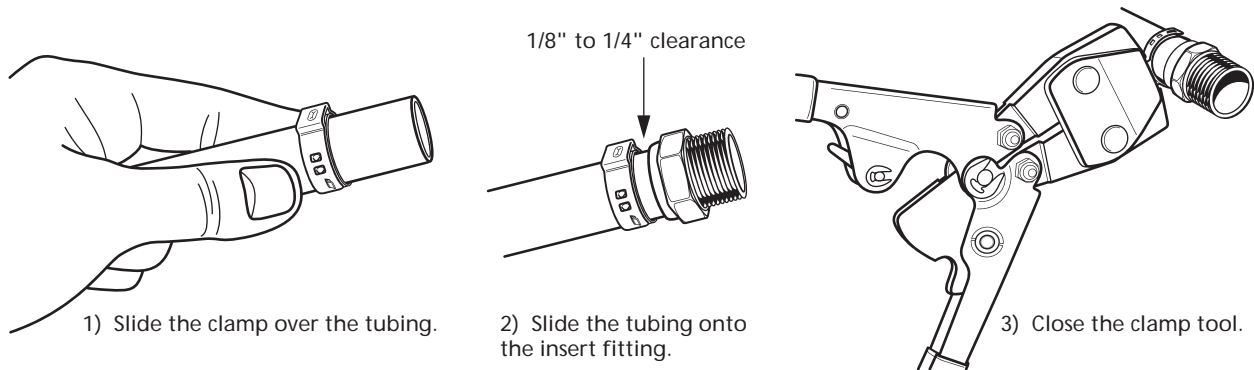
## SURLOK™ PINCH CLAMPS SYSTEM

### **Surlok™ Pinch Clamps**

The Surlok™ Pinch Clamps System utilizes a stainless steel stepless clamp that together with our WPEX™ brass insert fittings provides a permanent, leak proof connection which can be installed in seconds.

The Surlok™ Pinch Clamps ratchet tool is the one tool for all connections on all sizes of PEX tubing (3/8" through 1") No other tools or adapters are required and no calibration is necessary. The UltraLock Clamps™ ratchet tool will only release when the assembly is completed. No guessing, no go/nogo gauging.

The Surlok™ Pinch Clamps System simplifies the assembly process. The Surlok™ Pinch Clamps crimp ring creates a water tight seal by grabbing hold and compressing the PEX tubing onto the WPEX™ insert fitting.



### Surlok™ Pinch Clamps Installation

1. Cut the PEX tube so that a clean, straight end is provided. Slide Surlok™ Pinch Clamps over the tube end.
2. Insert Surlok™ Pinch Clamps fitting into the tube end, making sure that the tube is fully seated over the insert barb. The clamp may now be positioned so that it is 1/8" to 1/4" from the tubing's cut end.
3. Place the opened jaws of the Ratchet Tool over the raised ear of the clamp. Check to be sure that the clamp is still properly positioned then begin to compress the tool handles.
4. Proceed until a first "click" is felt. The clamp is now locked perpendicular to the tubing. The tool handles can now be compressed together to complete the assembly.

Note: The Ratchet Tool will not release until the assembly is complete.